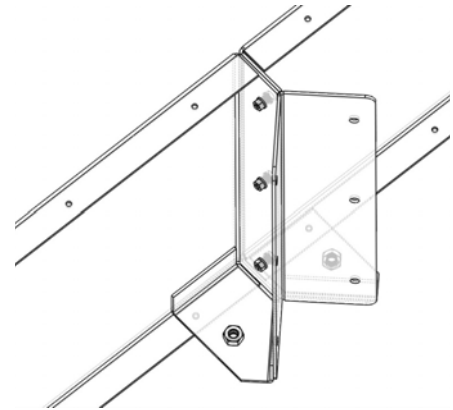
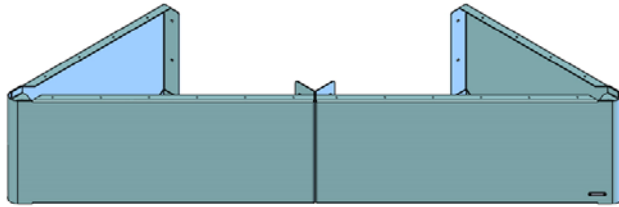
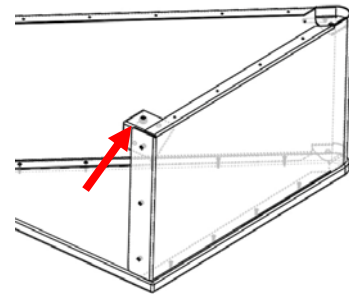
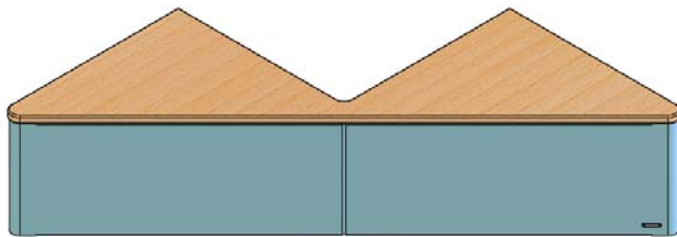


TRIANGLE



- 1) Join the two "C" elements, right and left, and fix them with TE M6x16 screws and their nuts and washers.



- 2) Position the multilayer top above the structure and fix it with chipboard screws.
- 3) In the case of compositions with several modules, repeat the same operations for the assembly of each module, then bring the modules together.
- 4) Position the tank inside the planter modules, adjust the height of the support feet and fix it with TE M6x25 screws and relative nuts and washers.

